

Stay arm for variable espagnolette - Tilt only window



Description

Stay articulated arm for Tilt only windows.

Apply the fixed arm **1** featuring an anti-release safety plate on the espagnolette, the movable arm **2** on the frame.

Application

Attached directly to the variable espagnolette A50111.XX.XX on the top rail side; for GR 1-2-3 just one fixed stay arm can be mounted with the screws outside of those for mounting the handle; for GR 4-5-6 you can mount 2 on the holes at the end of the espagnolette (use the stay arm as indicated in the picture below).

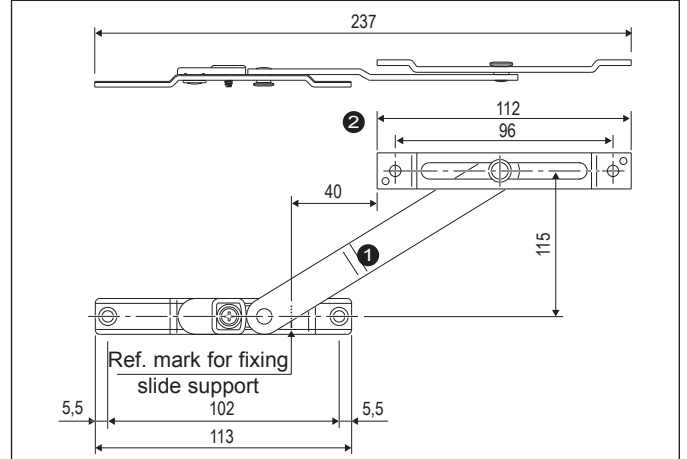
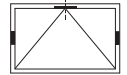
In case of use with SRW less than 1190 mm, which require 2 stays, mount the tilt only stay to the jamb side of the window; if used in combination with an extension of 320 mm, trim it to 194 mm in order to have two holes at a distance of 102 mm.

The stay is supplied with a safety catch plate, already assembled to the fixed arm, to secure with a M5 screw.

The screw is required in order to prevent separation of the rebate and must always be put back in place after servicing or cleaning windows.

Fastening

For PVC/Aluminium-wood/Aluminium Euro-groove doors/windows: 3.5/4.3x25 mm screws with thread suited to the material used for frame construction; for wooden doors/windows: 3.5x35 mm to 4x40 mm screws. With the stay closed, position the movable arm at a distance of 40 mm from the reference notch on the fixed arm.



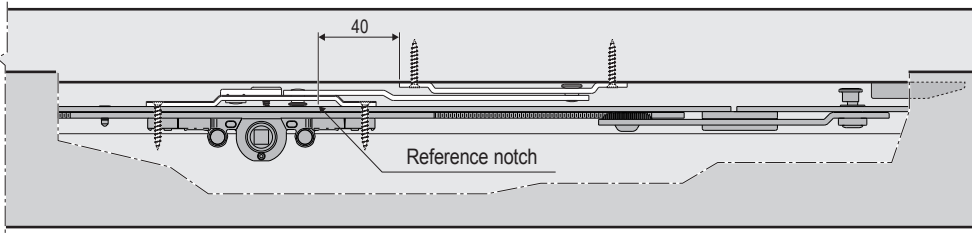
Tilt only arm mounted on extension (appropriately trimmed) on the jamb side of the window.

Cuttable extension		With 200 mm extension + cuttable extension	
SRH	X	SRH	X
1800	0,0	500	55,5
1850	0,5	550	57,5
1900	1,0	600	59,5
1950	1,0	650	61,5
2000	1,5	700	63,5
2050	1,5	750	65,5
2100	2,0	800	67
2150	2,0	850	68,5
2200	2,5	900	70
2250	2,5	950	71,5
2300	3,0	1000	73
2350	3,0	1050	74,5
2400	3,0	1100	75,5
2450	3,5	1150	76,5
2500	3,5	1200	77,5
2550	4,0	1250	78,5
2600	4,0	1300	79,5
2650	4,0	1350	80,5
2700	4,5	1400	81,5
2750	4,5	1450	82
2800	4,5	1500	83
2850	5,0	1550	84
2900	5,0	1600	84,5
2950	5,0	1650	85
3000	5,0	1700	86
-	-	1750	86,5

Application for SRH ≥ 1800 mm with cuttable extension without 200 mm extension

Application for SRH < 1800 mm with 200 mm extension without cuttable extension

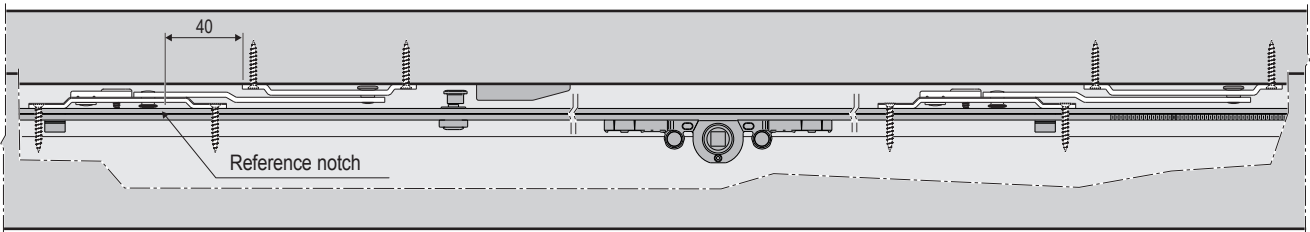
Stay arm for variable espagnolette - Tilt only window



Positioning / orienting

GR1-GR2-GR3

Fix the fixed arm on the espagnolette, corresponding with the handle.



Positioning/ orienting

GR4-GR5-GR6

Fix the fixed arm using the holes into the espagnolette; use the stay arm as indicated in the picture.



Order Specifications

Article	
A50545.00.00	