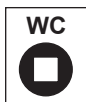


Polaris Wave bathroom hub, axis 96, 18 mm forend



Description

Mortice lock with PATENTED magnetic axial movement and central latch in plastic material which is matched with the forend colour.

The bathroom hub blocks the latch that has a bolt function, allowing the handle to turn down.

The lock has no protrusion on the forend thanks to the latch completely inside the lock body. 18 mm steel forend with round ends, 50,5 and 60,5 mm backset. Axis 96 mm. 6 mm hub-knob. Steel body with holes for handles fastening through extensible screws.

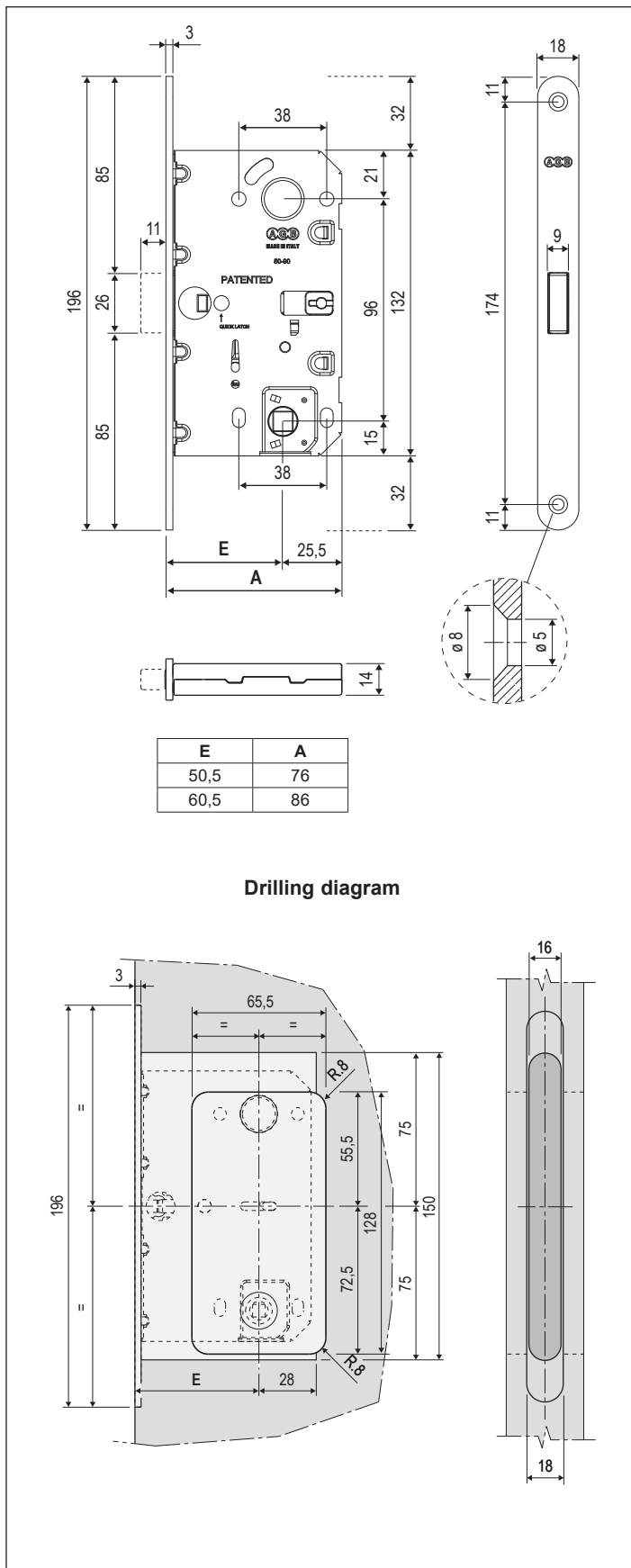
Note. The bathroom hub doesn't allow the latch retraction, to open the door it is necessary the handle installation.

Use

The symmetric and magnetic latch allows to have a non-handed lock.

Fastening

Make a groove and mill the door panel following the dimensions reported in the drawing. Fasten the lock with two screws 3,5x20 mm.



Order Specifications

Material	Article
STEEL	B06132.50.XX
	B06132.60.XX

Note. Refer to the price list in force to check the availability of the finishes.