

## TE 640 3D

for unrebated high performance heavy-duty doors



### Product features

- completely concealed hinge system
- for timber, steel or aluminium frames
- for unrebated high performance heavy-duty doors
- sideways closed hinge body for a homogeneous mortise appearance
- with comfortable 3D adjustment (side +/- 3,0 mm, height +/- 3,0 mm, compression +/- 1,0 mm)
- maintenance-free slide bearings

### Technical data

Property	Value
Load capacity	200,0 kg
Overall length	240,0 mm
Width (door part)	32,0 mm
Width (frame part)	32,0 mm
Cutter diameter	24,0 mm
Collar ring diameter	30,0 mm
Opening angle	+ 180°

### Notes

### Quality marks



Certification CE



Certification IFT



Certification UL

### Classification key

4	7	7	1 <sup>*1</sup>	1	- <sup>*2</sup>	1	14
---	---	---	-----------------	---	-----------------	---	----

<sup>\*1</sup> Test evidence for functional doors to be achieved with full door sets and assemblies.

<sup>\*2</sup> depending on the finish

**TECTUS - TE 640 3D**

The load capacity mentioned above refers to two hinges per door leaf (1 x 2 m). Also the load capacities of the respective combined receiver have to be taken into consideration. For detailed information please look at the chapter "technical information".

With an opening position of 180° the door may have to be fixed additionally.

**Installation tools**

Universal milling frame

Template 5 250659 5

Template 5 250689 5

step 1

step 2

**Combinations**

TE 640 3D FZ

TE 640 3D BW/16

TE 640 3D BW/20

TE 640 3D SZ

TE 640 3D ST

**Function range**



burglar resistance



fire resistance



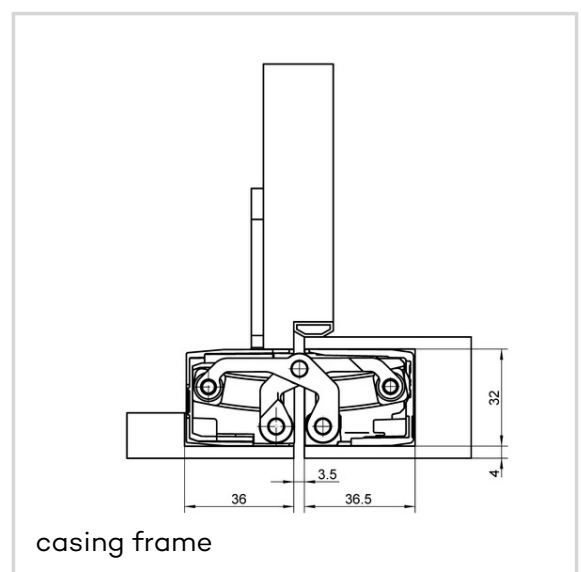
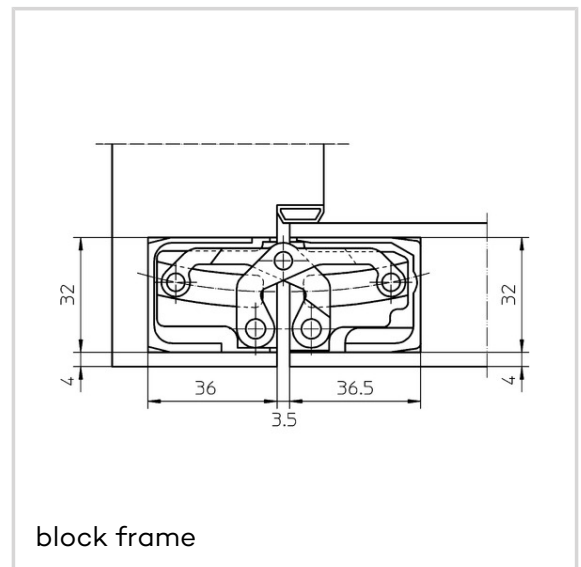
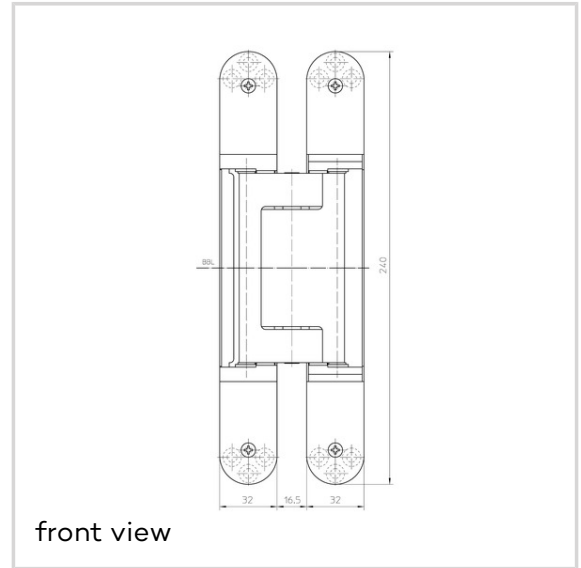
smoke resistance



soundproof

**Item versions**

Finish	polished brass (SW 030)
VPE	pack of 2
DIN	DIN right and left hand
Article number	5 400696 0 03002
EAN	4015471127312



## TECTUS - TE 640 3D

Finish	polished nickelled (SW 038)
VPE	pack of 2
DIN	DIN right and left hand
Article number	5 400696 0 03802
EAN	4015471127336

Finish	satin brassed (SW 047)
VPE	pack of 2
DIN	DIN right and left hand
Article number	5 400696 0 04702
EAN	4015471128258

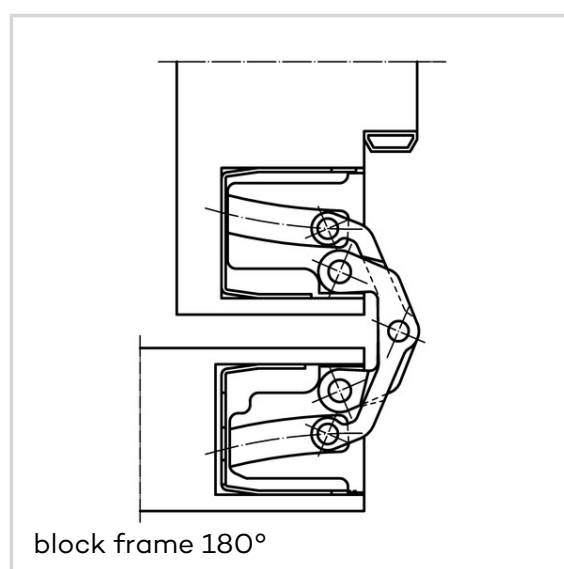
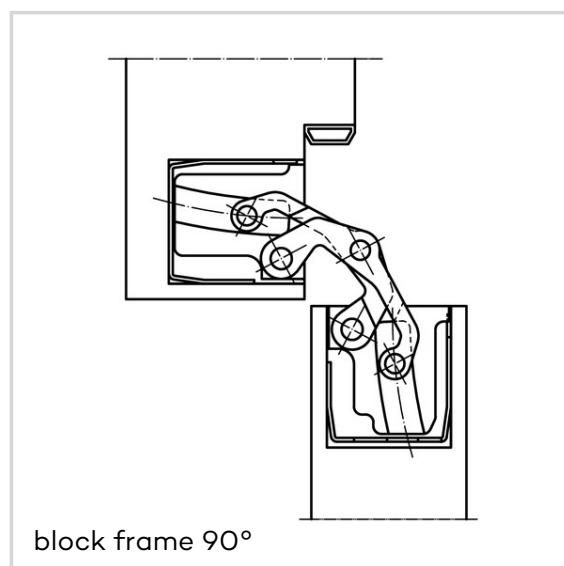
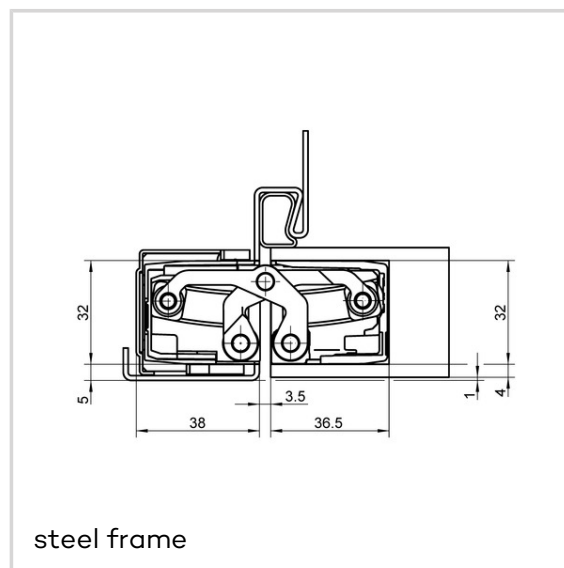
Finish	RAL 9016 Traffic White (SW 070)
VPE	pack of 2
DIN	DIN right and left hand
Article number	5 400696 0 07002
EAN	4015471127411

Finish	RAL 9005 Matte Black (SW 107)
VPE	pack of 2
DIN	DIN right and left hand
Article number	5 400696 0 10702
EAN	4015471128197

Finish	Satin Chrome Look (F1) (SW 124)
VPE	pack of 2
DIN	DIN right and left hand
Article number	5 400696 0 12402
EAN	4015471128227

Finish	Satin Nickel Look (F2) (SW 125)
VPE	pack of 2
DIN	DIN right and left hand
Article number	5 400696 0 12502
EAN	4015471128234

Finish	Stainless Steel Look (SSL) (SW 126)
VPE	pack of 2
DIN	DIN right and left hand



## TECTUS - TE 640 3D

Article number EAN	5 400696 0 12602 4015471128456
Finish VPE DIN Article number EAN	Satin Nickel (SW 144) pack of 2 DIN right and left hand 5 400696 0 14402 4015471128302
Finish VPE DIN Article number EAN	Satin Chrome (SW 146) pack of 2 DIN right and left hand 5 400696 0 14602 4015471128296
Finish VPE DIN Article number EAN	Rustic Umber (SW 156) pack of 2 DIN right and left hand 5 400696 0 15602 4015471128470
Finish VPE DIN Article number EAN	Bronze Metallic (SW 168) pack of 2 DIN right and left hand 5 400696 0 16802 4015471128487
Finish VPE DIN Article number EAN	Bronze Finish (SW 174) pack of 2 DIN right and left hand 5 400696 0 17402 4015471128494
Finish VPE DIN Article number EAN	Bronze Finish light (SW 175) pack of 2 DIN right and left hand 5 400696 0 17502 4015471128500
Finish VPE DIN	Bronze Finish dark (SW 176) pack of 2 DIN right and left hand

**TECTUS - TE 640 3D**

---

Article number	5 400696 0 17602
EAN	4015471128517